

# *Linha 30*

## **Catálogo Técnico**



**Alushop**

A L U M Í N I O

Fone/fax: (17) 2139-2100

Av. Jornalista Roberto Marinho, 1971, CEP-15061-500

São José do Rio Preto - SP

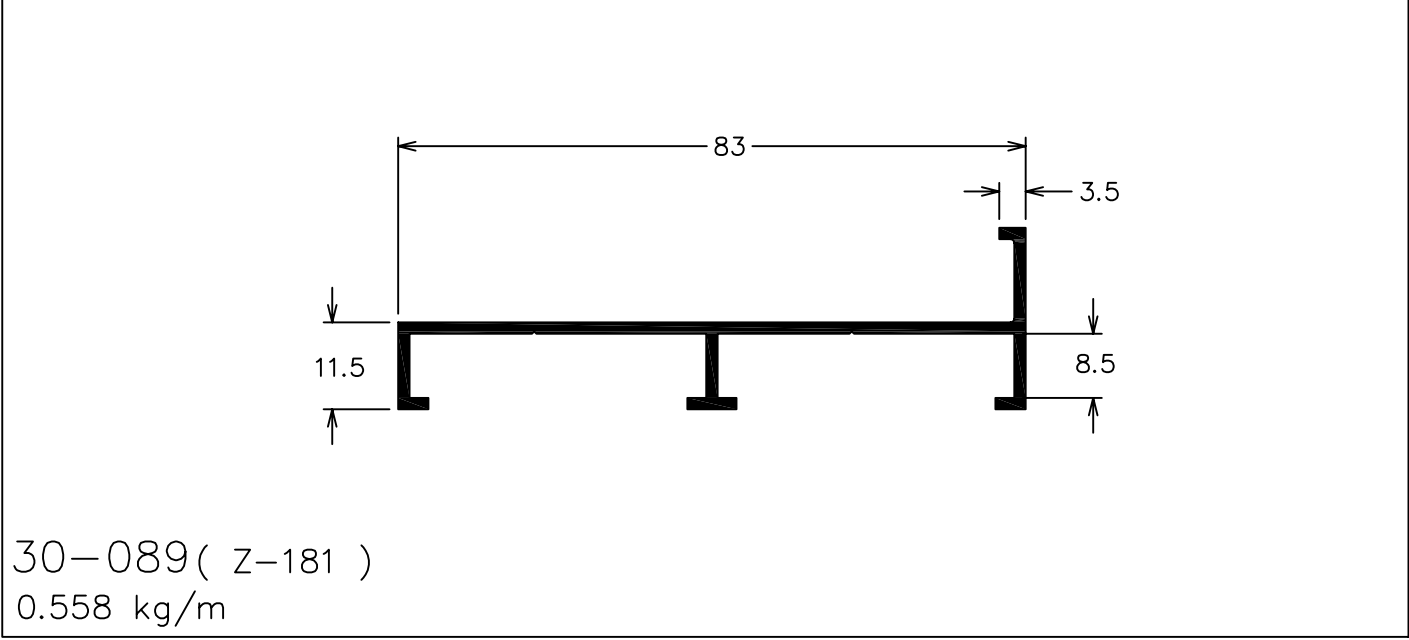
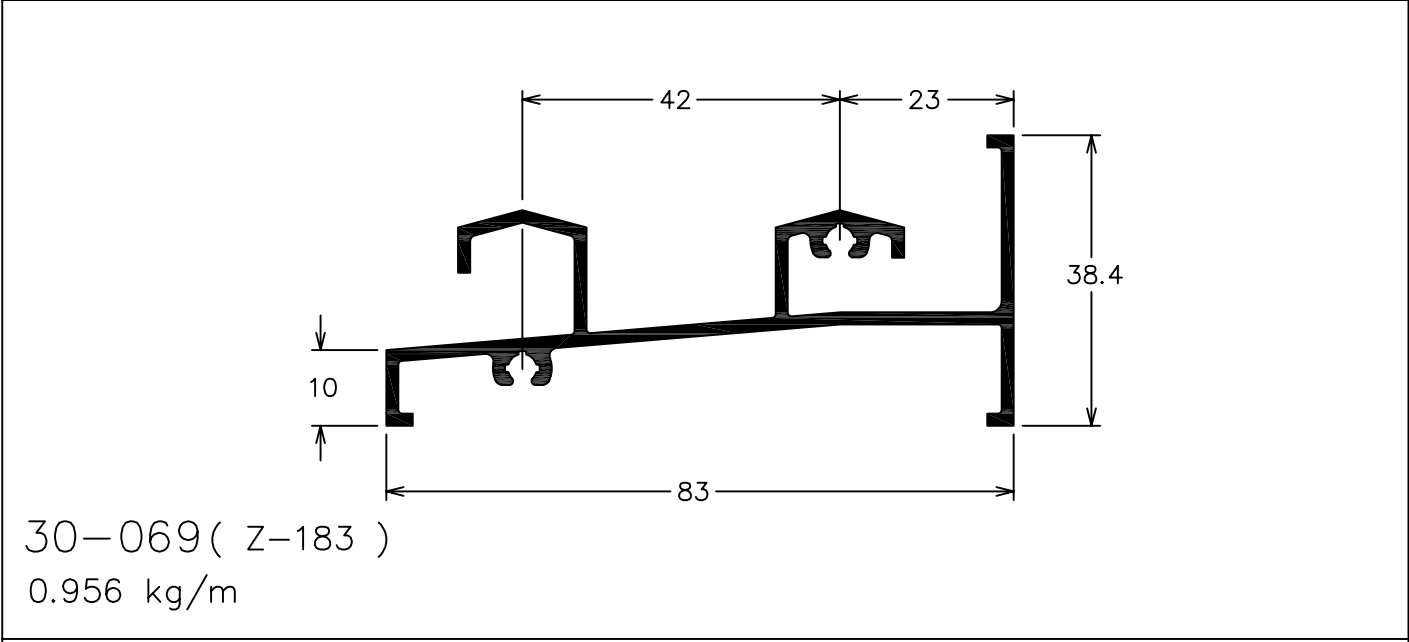
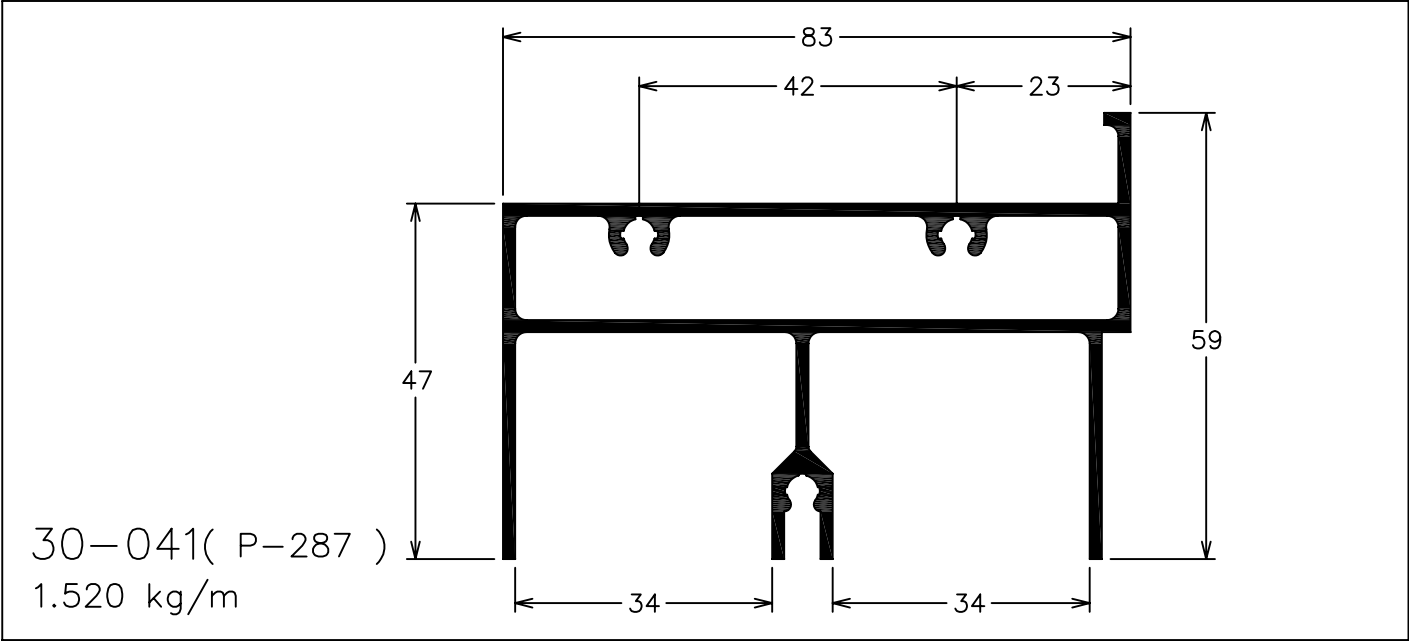
alushop@alushop.com.br - <http://www.alushop.com.br>

*Linha 30*

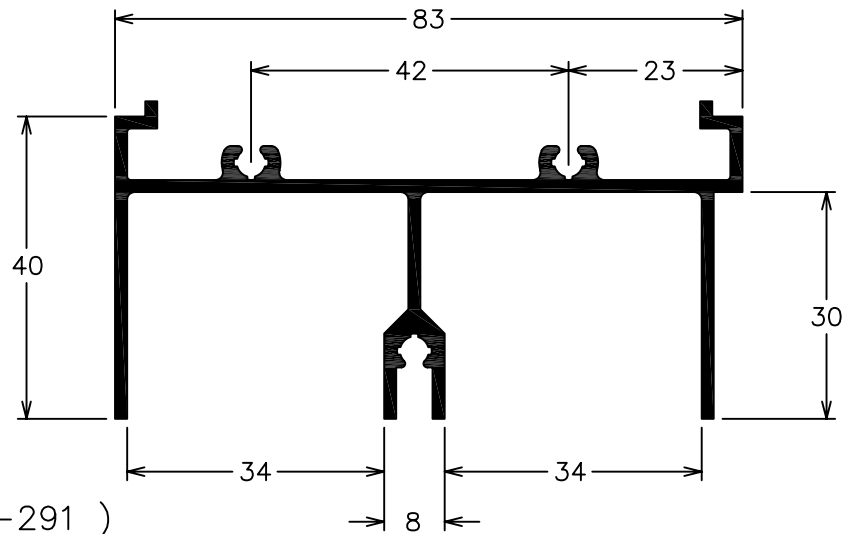
**Perfis**



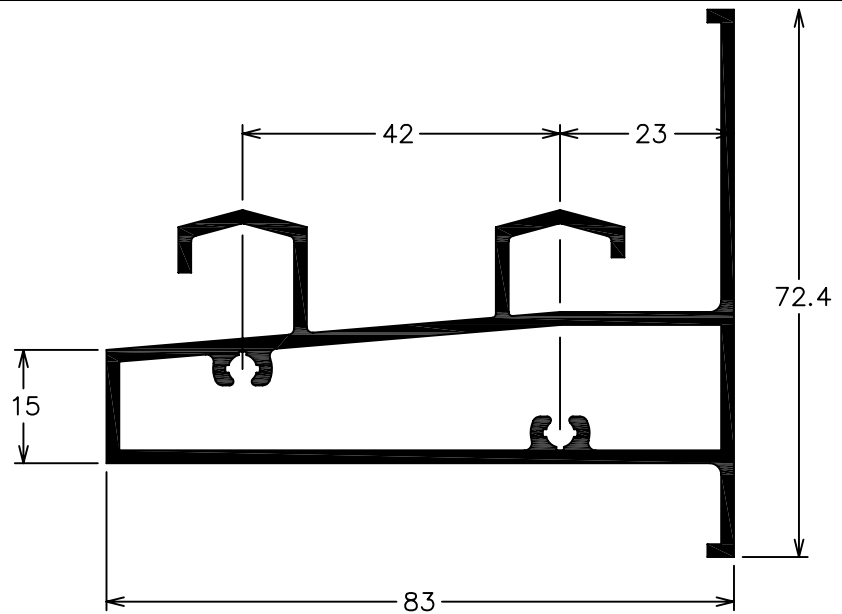
# Linha 30



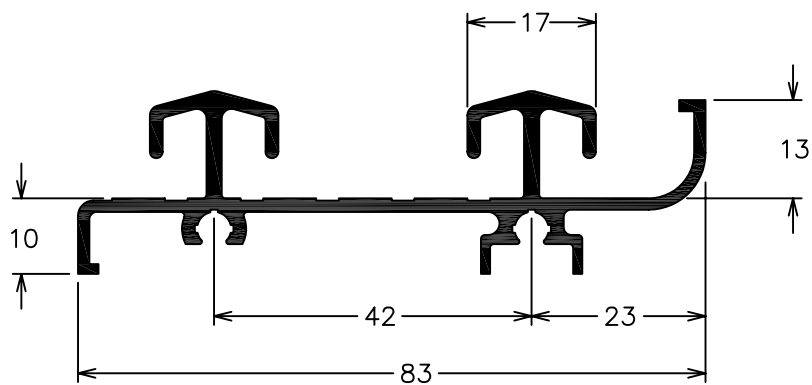
# Linha 30



30-066 ( E-291 )  
1.093 kg/m

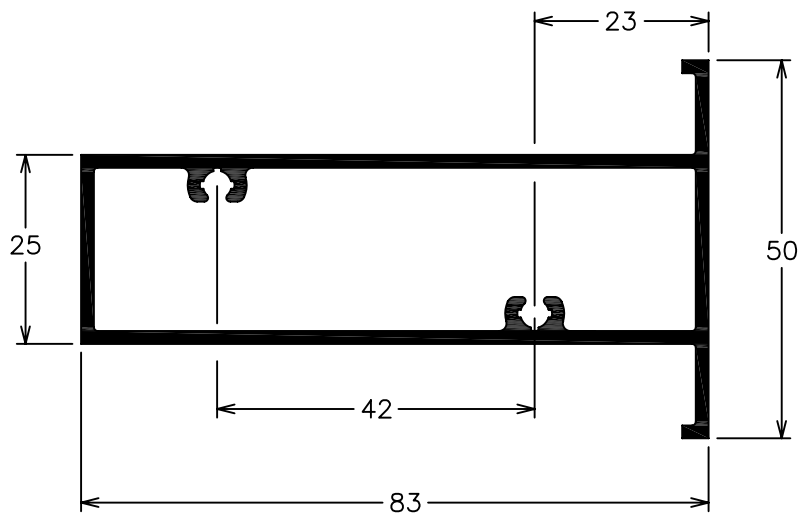


30-065 ( P-257 )  
1.560 kg/m

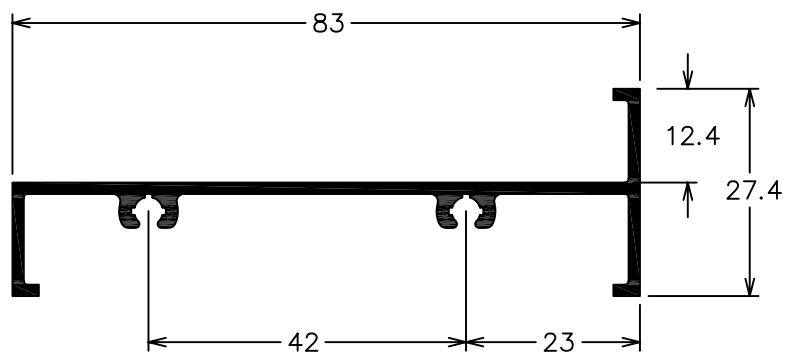


30-248 ( Z-268 )  
1.000 kg/m

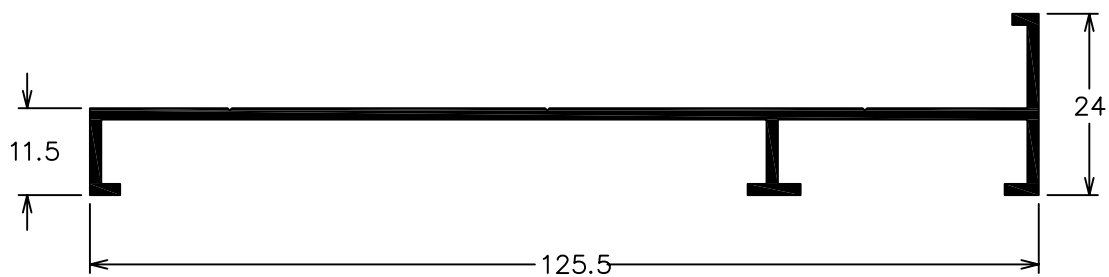
# Linha 30



30-067 ( P-258 )  
1.206 kg/m

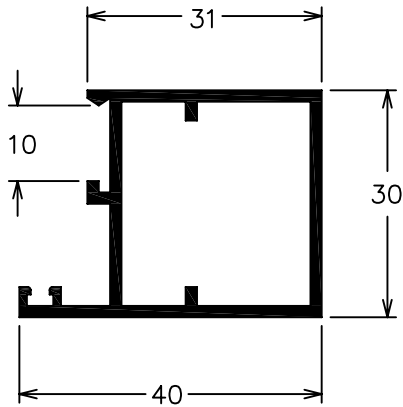


30-068 ( Z-182 )  
0.632 kg/m

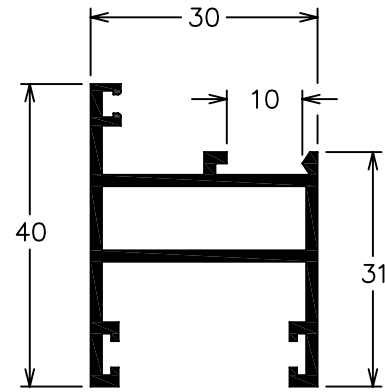


30-253 ( Z-262 )  
0.734 kg/m

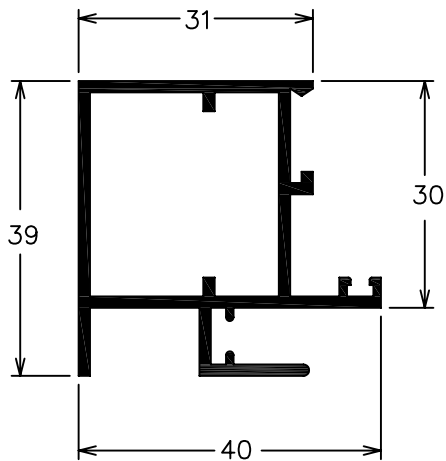
# Linha 30



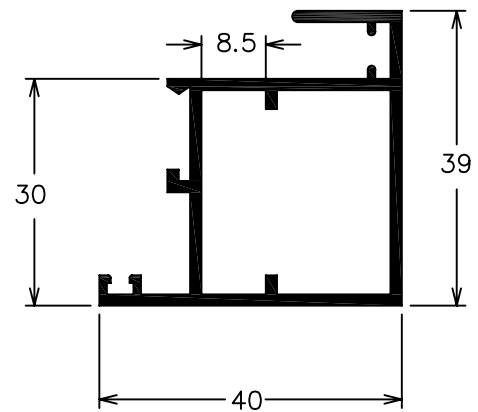
30-003 ( P-084 )  
0.560 kg/m



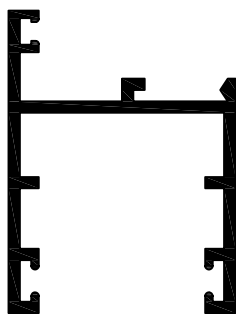
30-004  
0.589 kg/m



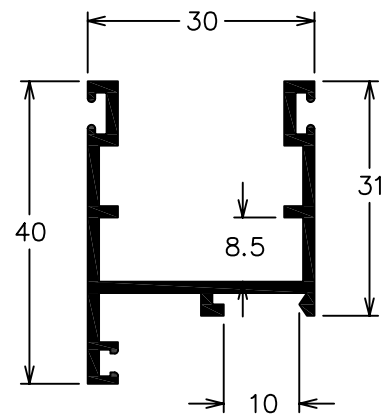
30-005 ( P-148 )  
0.696 kg/m



30-006 ( P-149 )  
0.660 kg/m

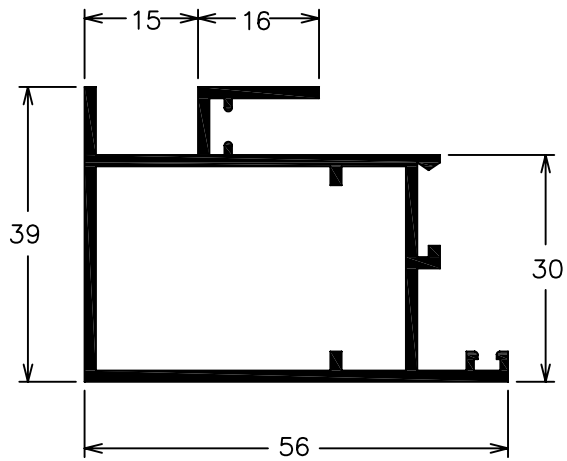


30-001 ( Y-131 )  
0.500 kg/m

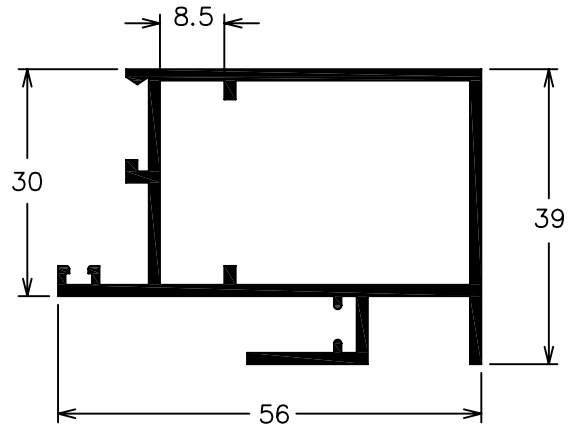


30-002 ( Y-153 )  
0.500 kg/m

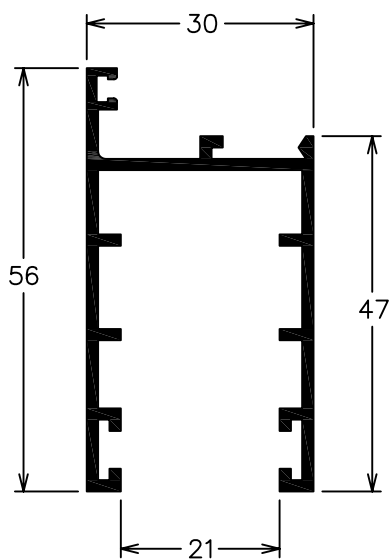
# Linha 30



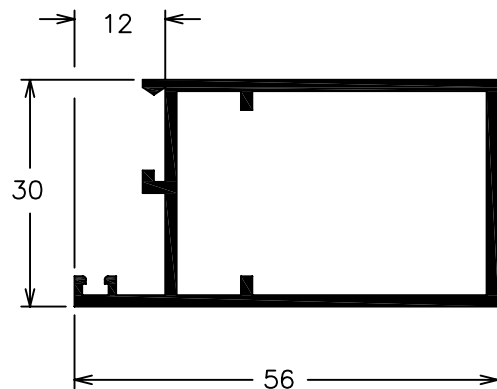
30-011 ( P-281 )  
0.840 kg/m



30-012 ( P-282 )  
0.840 kg/m



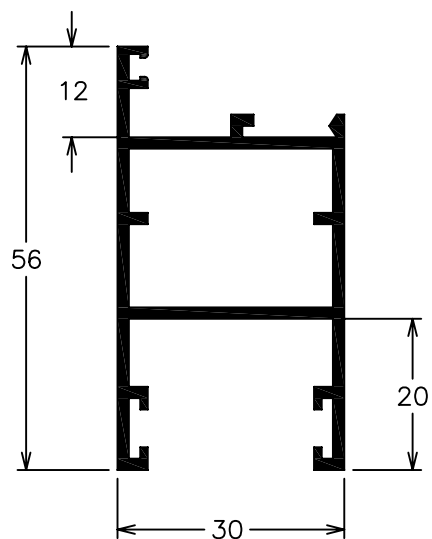
30-007 ( Y-110 )  
0.661 kg/m



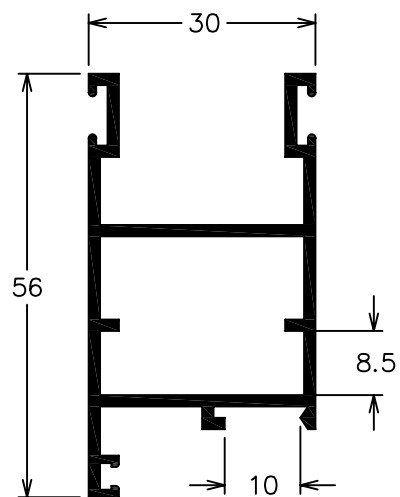
30-008 ( P-068 )  
0.692 kg/m



# Linha 30

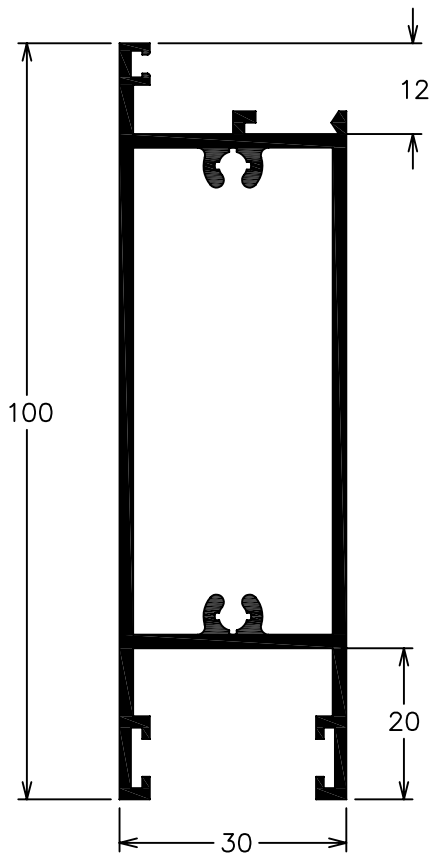


30-009( A-026 )  
0.749 kg/m

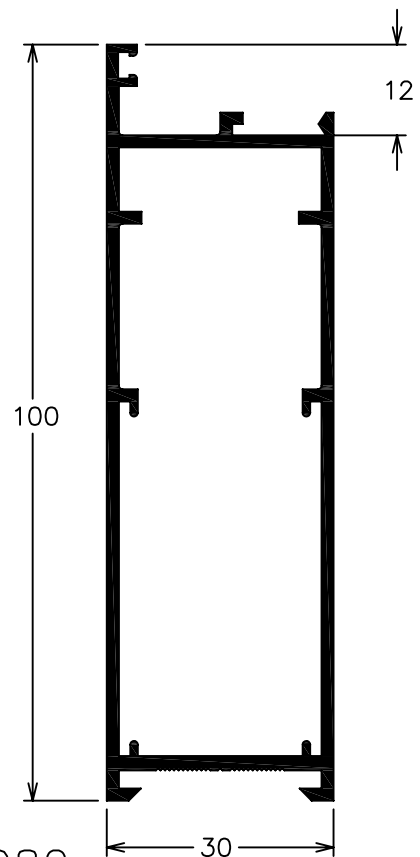


30-010( A-054 )  
0.765 kg/m

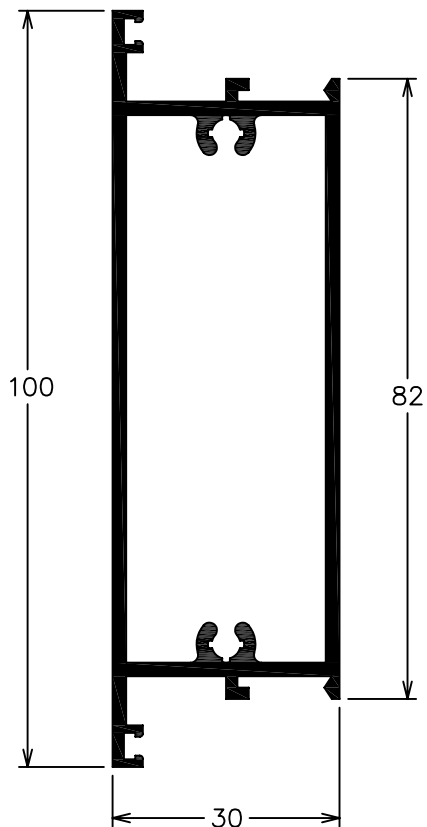
# Linha 30



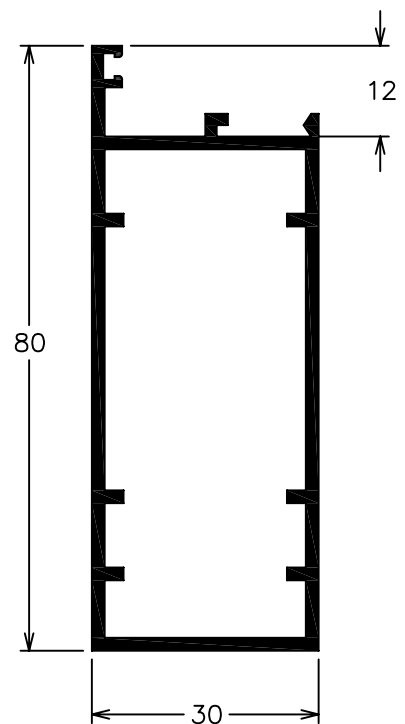
30-028( A-081 )  
1.378 kg/m



30-082  
1.195 kg/m



30-030( P-165 )  
1.318 kg/m

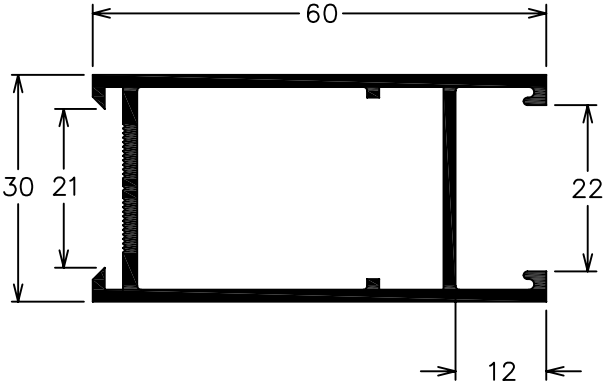


30-033 ( P-358 )  
1.030 kg/m

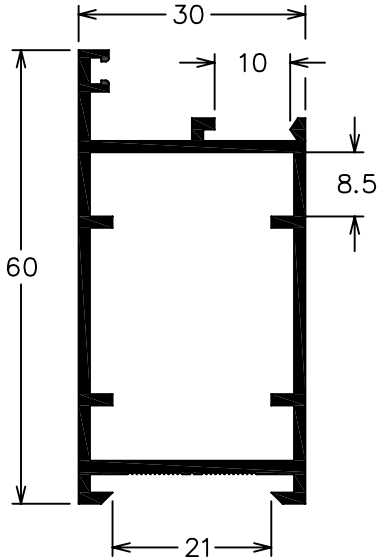
# Linha 30

<p>30-024 0.854 kg/m</p>	<p>30-023 ( P-273 ) 0.615 kg/m</p>
<p>30-034 ( L-519 ) 0.297 kg/m</p>	<p>30-019 ( E-150 ) 0.295 kg/m</p>
<p>30-245 ( A-213 ) 0.263 kg/m</p>	

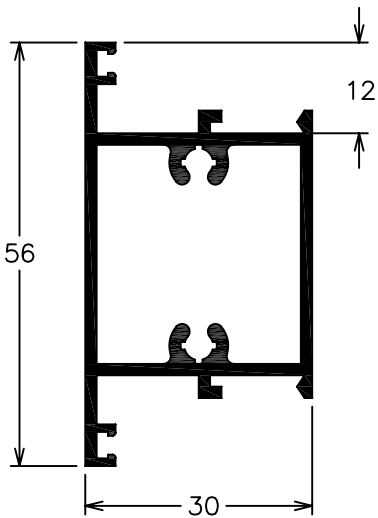
# Linha 30



30-077 ( A-144 )  
0.829 kg/m

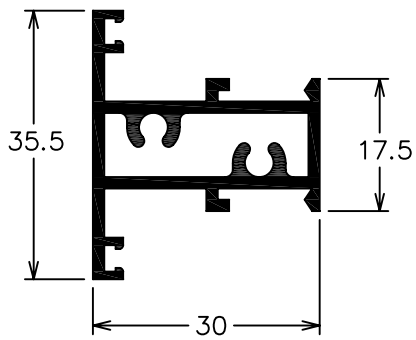


30-026 ( P-270 )  
0.780 kg/m

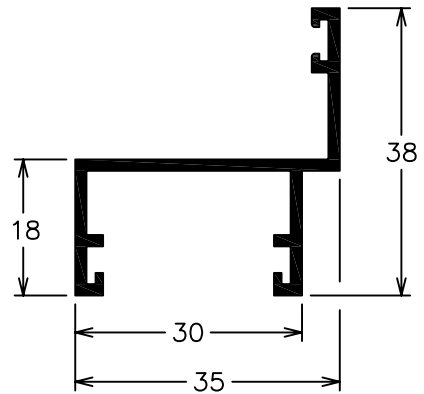


30-025 ( P-078 )  
0.793 kg/m

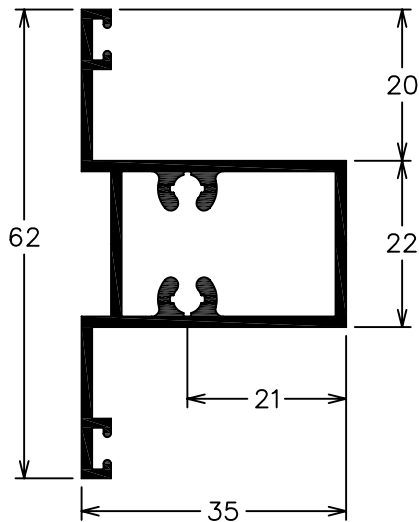
# Linha 30



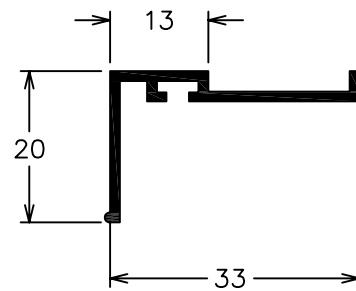
30-036 ( P-075 )  
0.590 kg/m



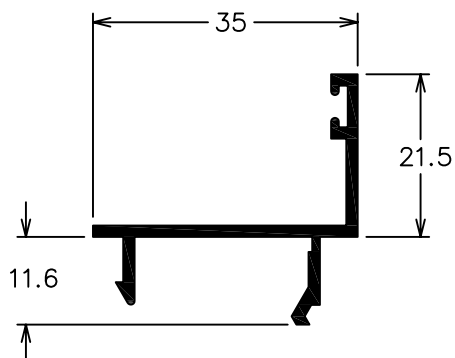
30-054( Y-140 )  
0.435 kg/m



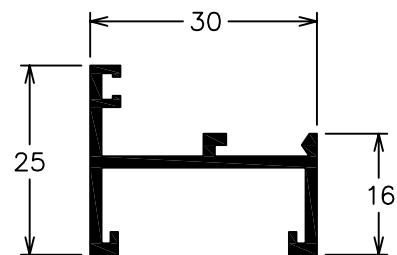
30-235 ( P-419 )  
0.726 kg/m



CL-015 ( L-387 )  
0.210 kg/m

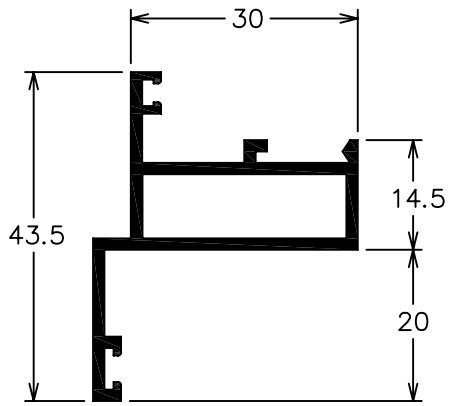


30-056 ( Y-148 )  
0.340 kg/m

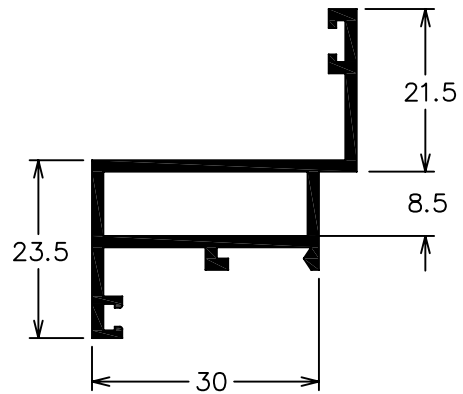


30-052( Y-113 )  
0.336 kg/m

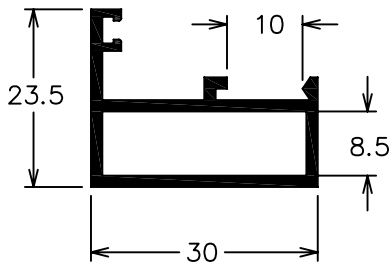
# Linha 30



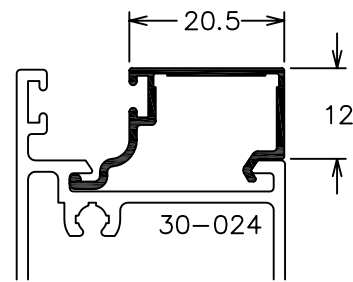
30-049 ( P-120 )  
0.533 kg/m



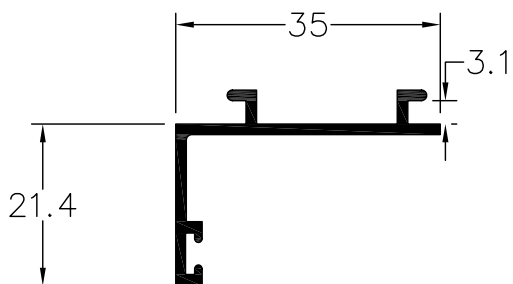
30-050 ( P-121 )  
0.533 kg/m



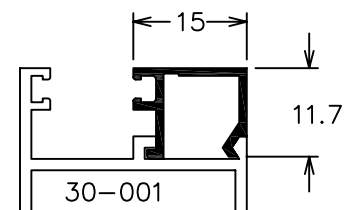
30-051 ( P-064 )  
0.408 kg/m



BG-009 ( U-679 )  
0.176 kg/m

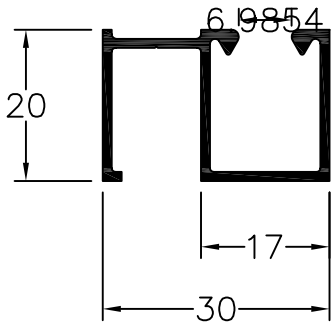


30-035  
0.282 kg/m

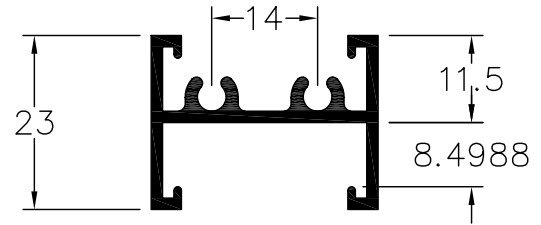


BG-010 ( U-482 )  
0.115 kg/m

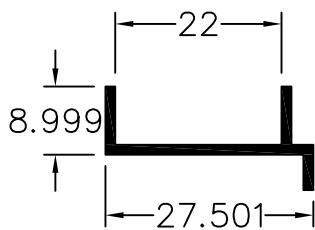
# Linha 30



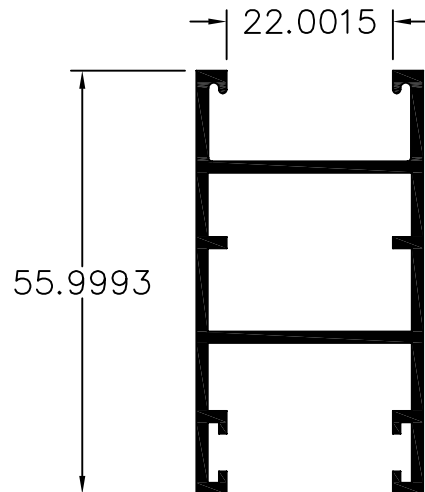
30-021  
0.340 kg/m



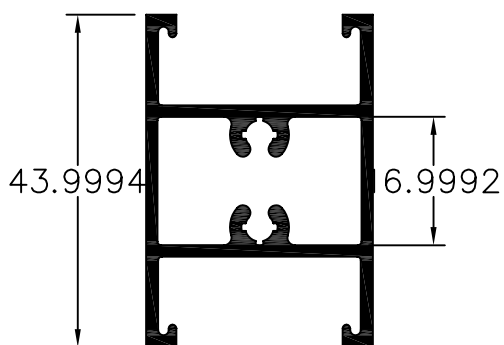
30-055  
0.460 kg/m



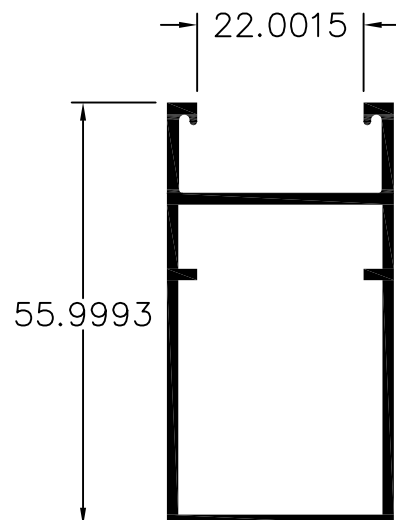
VZ-037  
0.155 kg/m



30-013  
0.705 kg/m



30-079  
0.762 kg/m



30-014  
0.730 kg/m